

Q-50 LED WALL • 10'x17'

Trailer Dimensions

Length 25'
 Width (Wheel Base) 8'8"
 Width (Outriggers) 15'5"
 Height (Closed) 9'2"
 Height (Raised Max) 22'9"
 Weight (Equipped) 13,900 lbs

LED Screen Dimensions

Height 10'
 Width 17'
 Overall Height 25'
 Height (Bottom of Screen) 15'
 Rotation of Screen (Raised) 360°



Power Requirements

Shore Power 100A 100A 120/240 V
 (Single Phase)
 Power Connectors Camlock GNR



Specifications

Brightness 6500 Nits
 Viewing Angle Horizontal 120°
 Viewing Angle Vertical 120°
 Humidity Operating IP 65
 Input Compatibility Any Format
 Input Compatibility (Data) Any Format

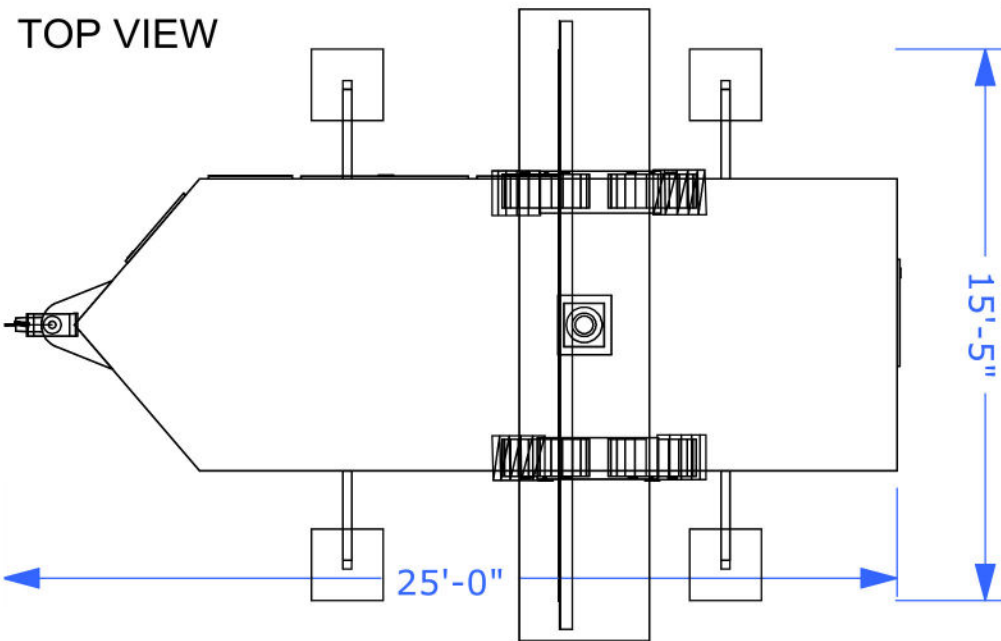
Accessories

Auto-Leveling Hydraulic
 Equipment Room AC, Heated
 Weather Certification IP65
 Generator (Optional) 20k W Diesel

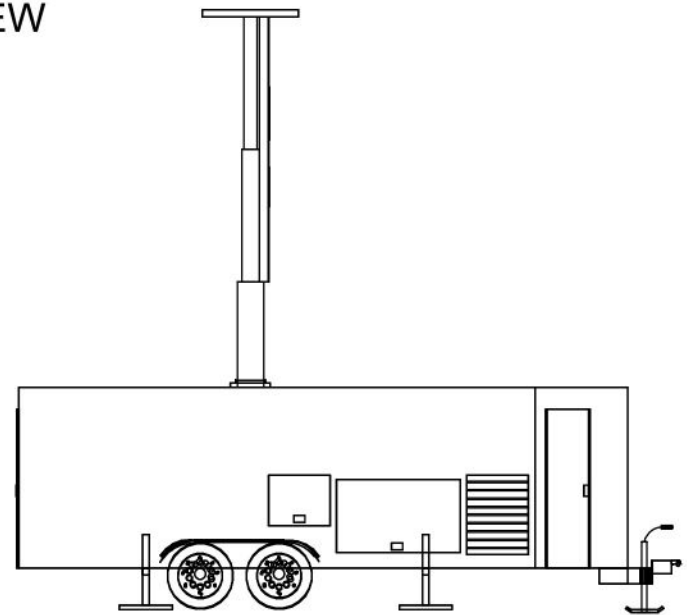
Revelation
 Production • Integration • Collaboration

100 BARBER AVE. | WORCESTER, MA 01606
 INFO@REVPROD.COM | 508-797-0253

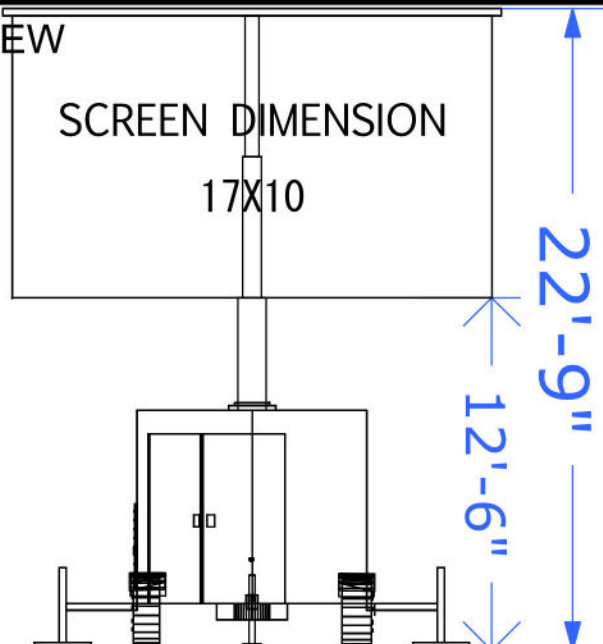
TOP VIEW



SIDE VIEW



FRONT VIEW



ISO VIEW

