

Q-50 LED WALL • 10'x17'

Trailer Dimensions

Length 25'
Width (Wheel Base) 8'8"
Width (Outriggers) 15'5"
Height (Closed)..... 9'2"
Height (Raised Max) 22'9"
Weight (Equipped) 13,900 lbs

Power Requirements

Shore Power 100A..... 100A 120/240 V
(Single Phase)
Power Connectors..... Camlock GNR



LED Screen Dimensions

Height..... 10'
Width 17'
Overall Height..... 25'
Height (Bottom of Screen) 15'
Rotation of Screen (Raised)..... 360°



Specifications

Brightness 6500 Nits
Viewing Angle Horizontal 120°
Viewing Angle Vertical..... 120°
Humidity Operating IP 65
Input Compatibility Any Format
Input Compatibility (Data) Any Format

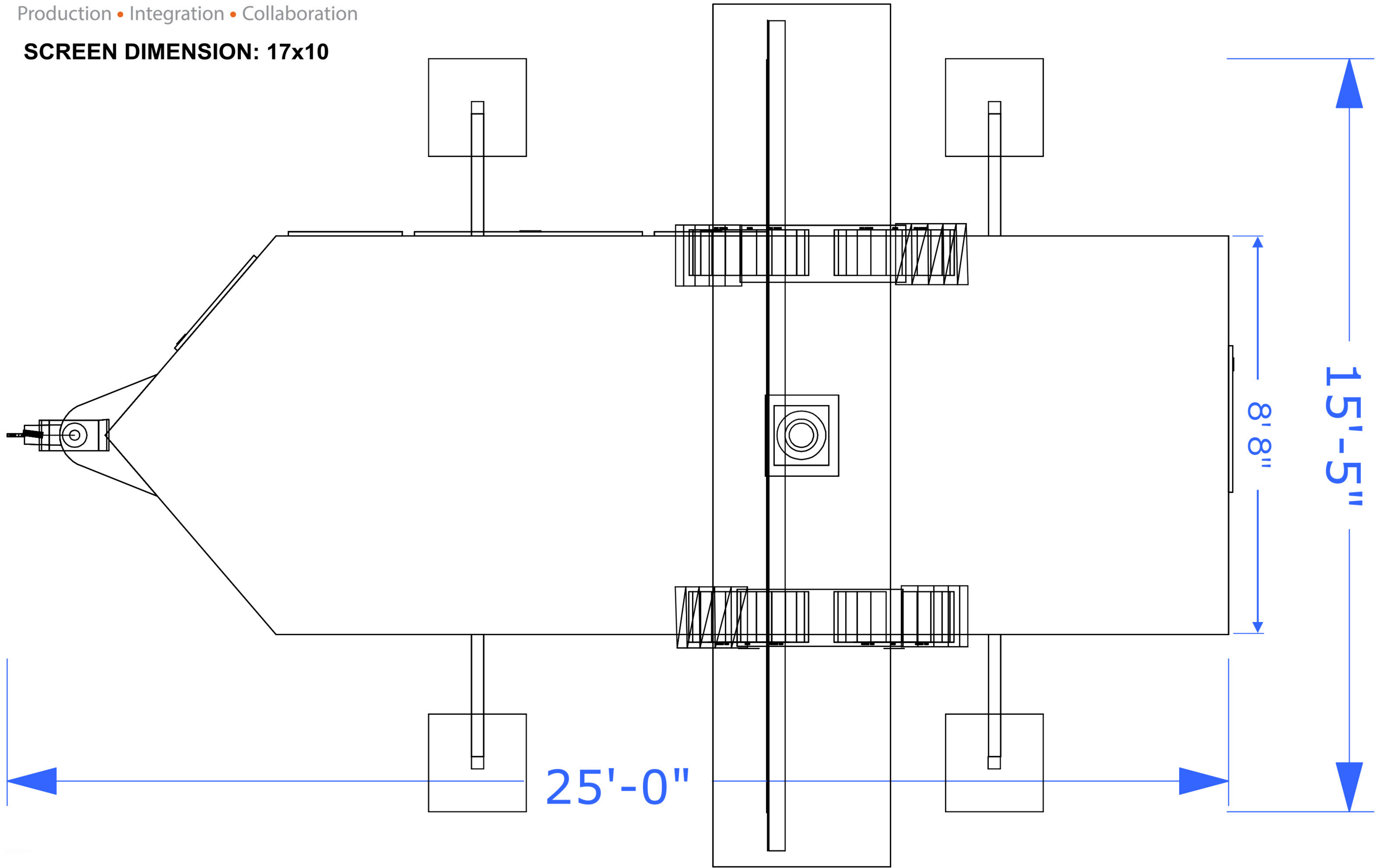
Accessories

Auto-Leveling Hydraulic
Equipment Room AC, Heated
Weather Certification IP65
Generator (Optional) 20k W Diesel

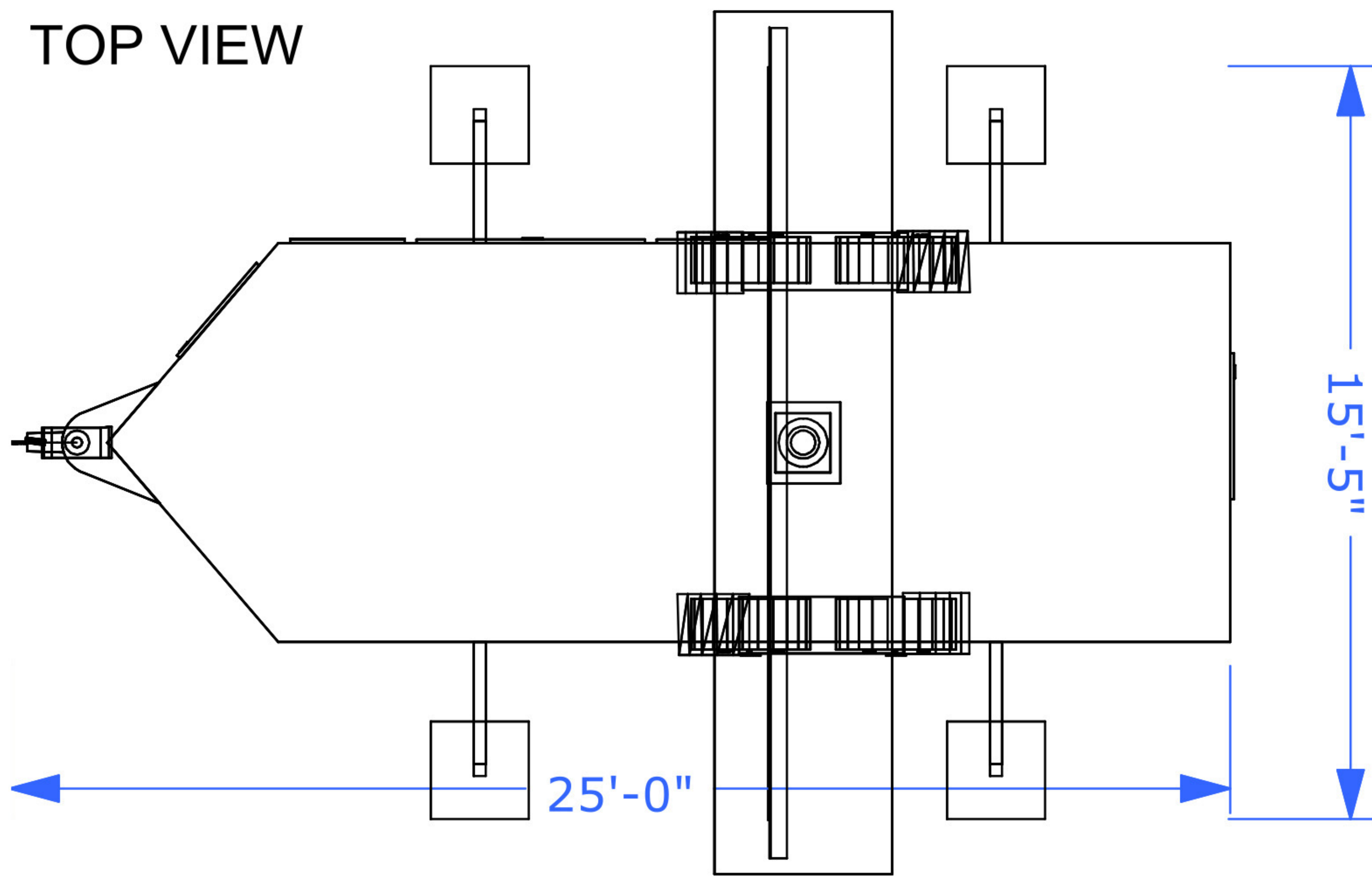
Revelation

Production • Integration • Collaboration

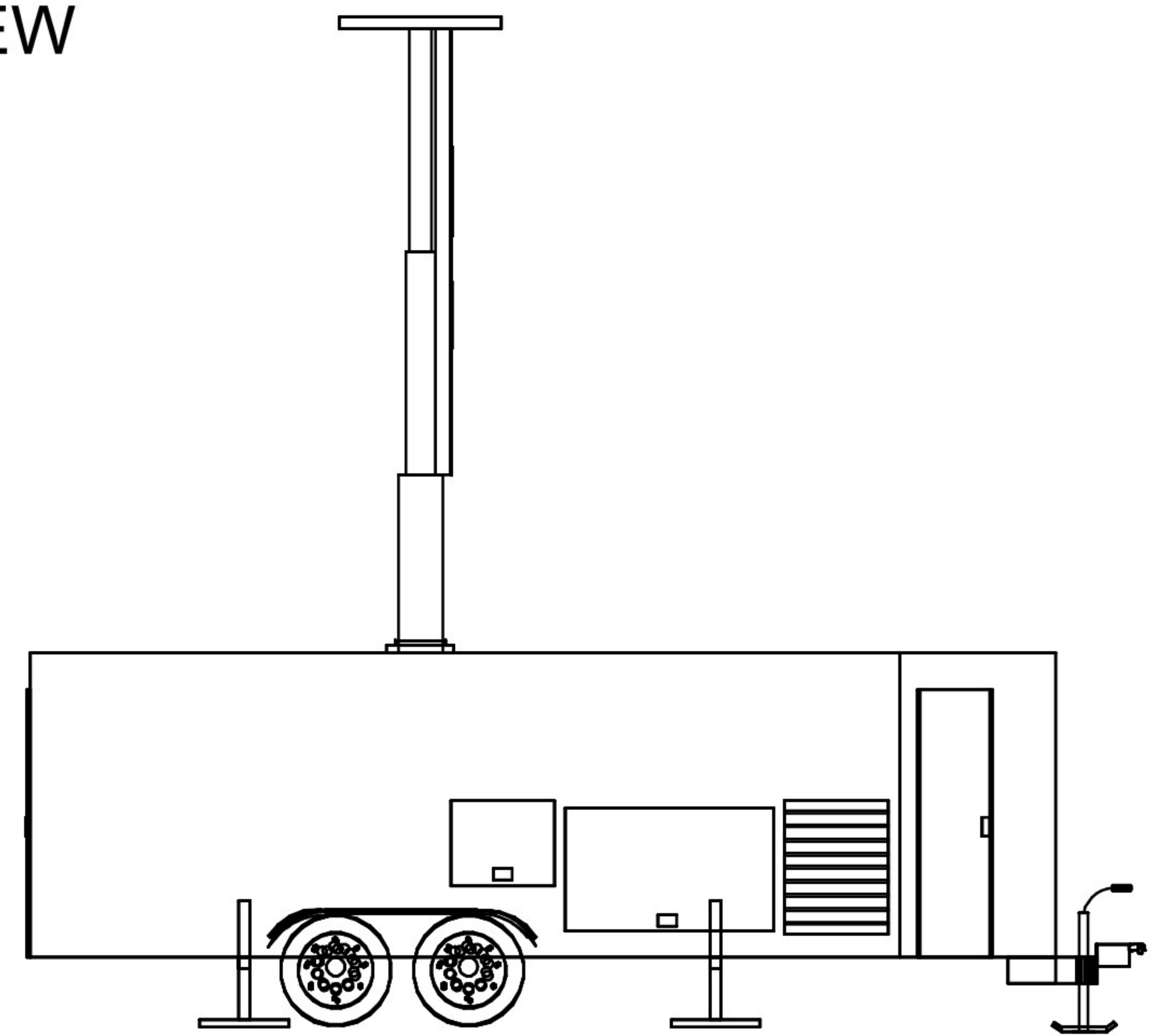
SCREEN DIMENSION: 17x10



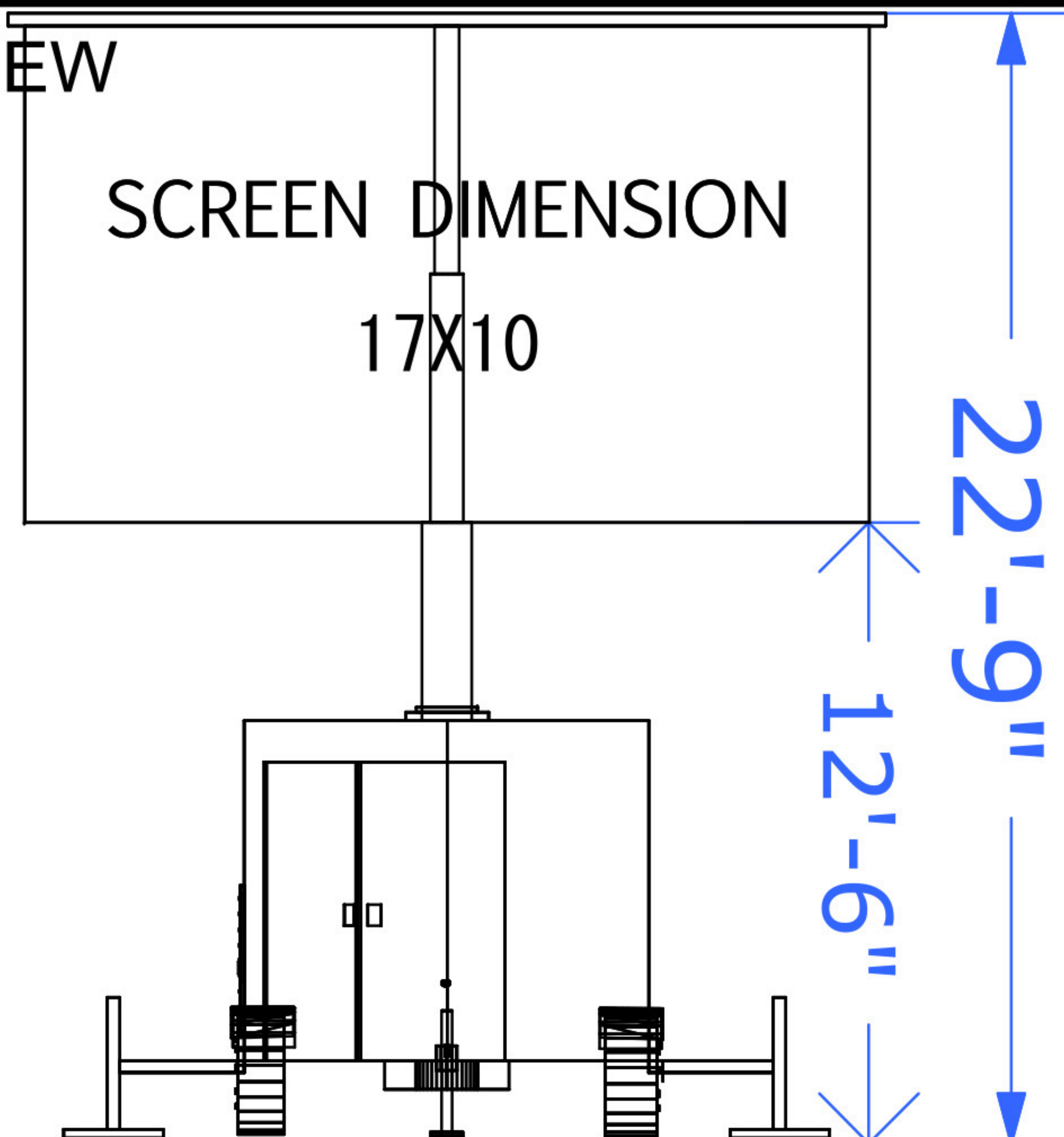
TOP VIEW



SIDE VIEW



FRONT VIEW



ISO VIEW

